

JDYG Pressure Transmitter(sensor)

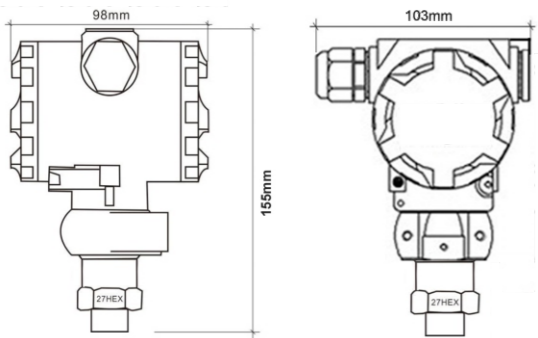
Feature

- Minimum measuring range -1bar.
- Maximum measuring range 0-1000bar.
- Adjustable zero
- Lightning protection and protection radio frequency interference
- Intrinsically safe explosion-proof or flameproof
- Small size, beautiful appearance, high cost performance
- High precision, high stability, high reliability
- It has HART protocol optional

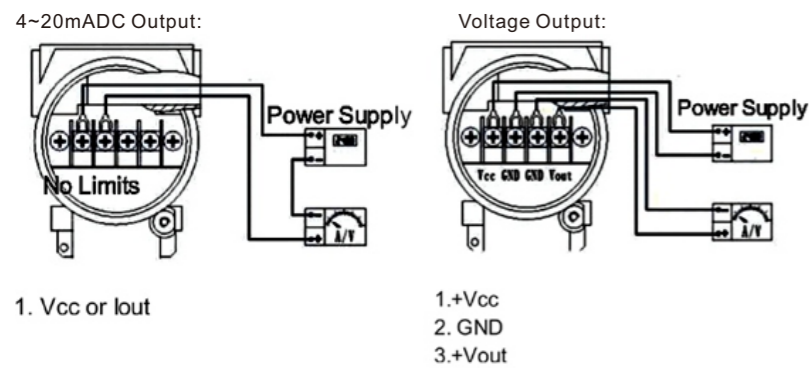
Technical details

| | |
|-----------------------|--|
| Measuring medium | liquid, gas or steam etc. |
| Measuring range | -1 Bar-1 Bar; 0-0.1Bar.....1000 Bar |
| Safe Overload | 200% F.S. (standard) |
| Output signal | 4-20mA ,1-5V,0-10V,0-5V,etc. RS 485 protocol |
| Accuracy | ±0.5%F.S; ±0.25%F.S |
| Power Supply | 12~36 Vdc 24Vdc |
| Environmental Temp. | -20℃~80℃ |
| Working Temp. | -20℃~80℃ or 500℃ can be customized |
| Shell Material | 316L or 304 Stainless Steel |
| Pressure Connect Port | 1/2"NPT (by customized) |
| Protection grade | IP65 |
| Unit | Bar, KPA, MPA, mbar, psi, Pa, etc. Optional |

Product Dimension



Electric Connection



Application

- Industrial process pressure detection and control
- Laboratory pressure calibration system
- Liquid level measurement and water supply system
- Hydraulic and pneumatic control system
- Navigation and shipbuilding
- Aviation and aircraft manufacturing



Model Selection Catalog

| JDYG | | Pressure Transmitter(sensor) | | |
|------|----------------------------|------------------------------|--------|----------|
| Code | Pressure Type | | | |
| A | Absolute Pressure | | | |
| G | Gauge Pressure | | | |
| S | Sealing Pressure | | | |
| N | Negative Pressure | | | |
| Code | Measuring Range | | | Accuracy |
| | Minimum measuring range | Maximum measuring range | | |
| 1 | -1 Bar-1 Bar | 0-10bar | ±0.5% | |
| 2 | 0-10bar | 0-16bar | ±0.25% | |
| 3 | 0-16bar | 0-30bar | ±0.25% | |
| 4 | 0-30bar | 0-50bar | ±0.25% | |
| 5 | 0-50bar | 0-100bar | ±0.25% | |
| 6 | 0-100bar | 0-200bar | ±0.25% | |
| 7 | 0-200bar | 0-500bar | ±0.25% | |
| 8 | 0-500bar | 0-600bar | ±0.25% | |
| 9 | 0-700bar | 0-800bar | ±0.25% | |
| 10 | 0-800bar | 0-1000bar | ±0.25% | |
| Code | Output Singal | | | |
| M1 | 4-20mA DC | | | |
| M2 | 0-5V | | | |
| M3 | 1-5V | | | |
| M4 | 0-10V | | | |
| Code | Process connection | | | |
| P1 | M20*1.5 | | | |
| P2 | 1/2NPT | | | |
| P3 | G1/2 | | | |
| PX | Custom design | | | |
| Code | Additional Function | | | |
| M3 | LCD display or LED display | | | |
| M4 | Without display | | | |
| d | Ex d IIC T6 | | | |
| P | Rs485 Protocol | | | |
| h | High temperature | | | |
| c | -20~80 degree Celsius | | | |
| 4 | SUS 304 | | | |
| L | SUS 316L | | | |

JDYG G 03 M1 P1 M3