

JUHZ Magnetic Level Meter

Feature

- It is a method of measuring mechanical principle
- Measuring range 0 to 0.3m and 0 to 6m.
- on the spot display and remote transmission.
- Conventional type ,corrosion resistant and Explosion-proof type.
- High precision, high stability, high reliability

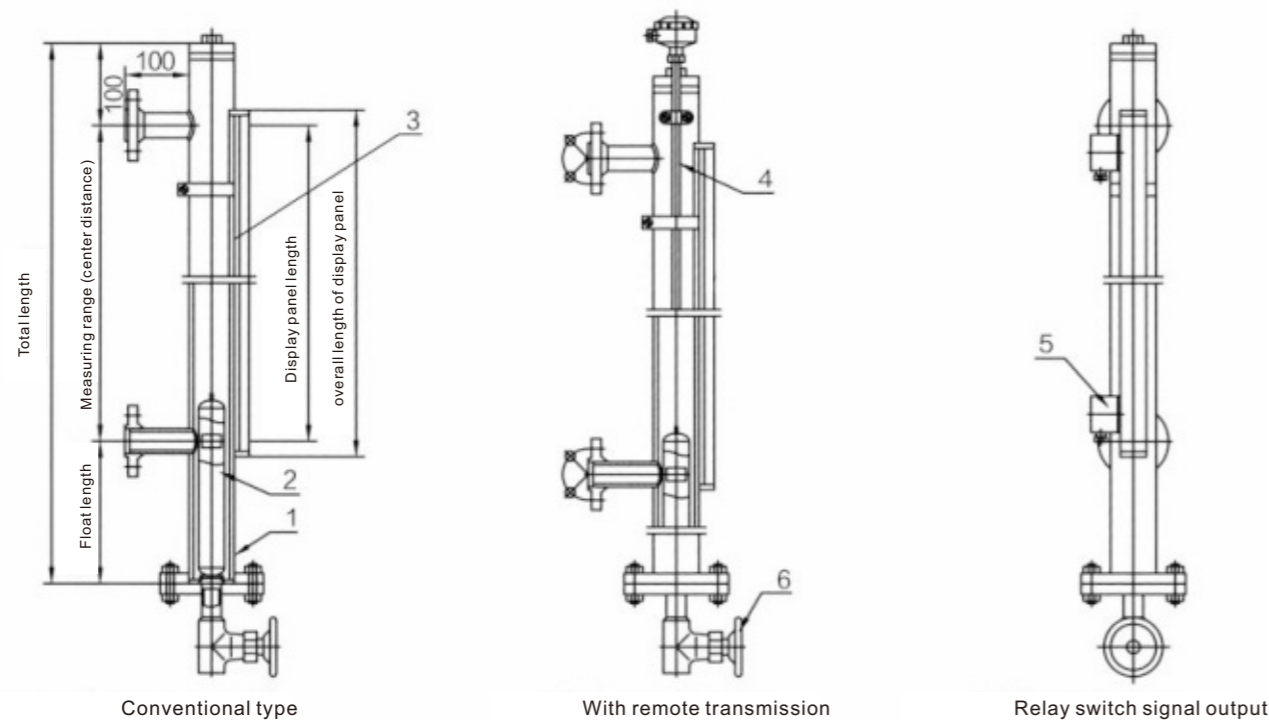
Technical details

Measuring medium	liquid
Measuring range	0 to 0.3m and 0 to 6m
Installation mode	Bottom mounted type, Side mounted type, top mounted type
Output signal	4-20mA ,Switch relay signal
Accuracy	±10mm(Standard condition)
Power Supply	24Vdc(Two-wire and four wire)
Environmental Temp.	-20°C~60°C
Working Temp.	-20°C~100°C -20°C~200°C -20°C~320°C
Material	SUS 304 ,SUS 316L, Titanium Optional
Pressure Connect Port	Flange , Threaded, Tri-Clamp Optional
Protection grade	IP65



Model Selection Catalog

JUHZ		Magnetic level Meter	
Code	Installation Type		
A	Bottom mounted type		
F	Side mounted type		
G	Top mounted type		
Product type			
C	Conventional type		
T	With remote transmission		
R	Relay switch signal output		
Code	Measuring Range		
1	0-1m		
2	0-2m		
3	0-3m		
4	0-4m		
5	0-5m		
Code	Output Singal		
M1	4-20mA DC		
M2	without signal		
Code	Process connection		
P1	Flange connection		
P2	Threaded connection		
P3	Tri-Clamp		



JUHZ G C 3 M1 P1

Application

- Liquid level measurement and control in industrial field
- Liquid level measurement and water supply system
- Urban water supply and wastewater treatment
- Large dam and water conservancy construction
- Food and beverage equipment
- Chemical and medical equipment