

# JDYC Ultrasonic level meter (sensor)

## Feature

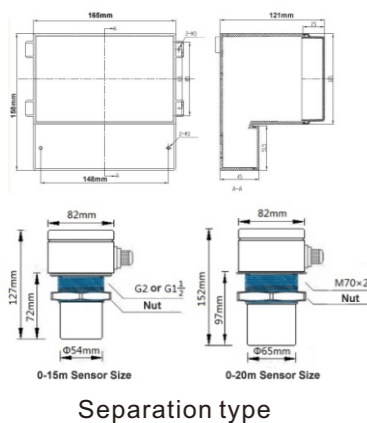
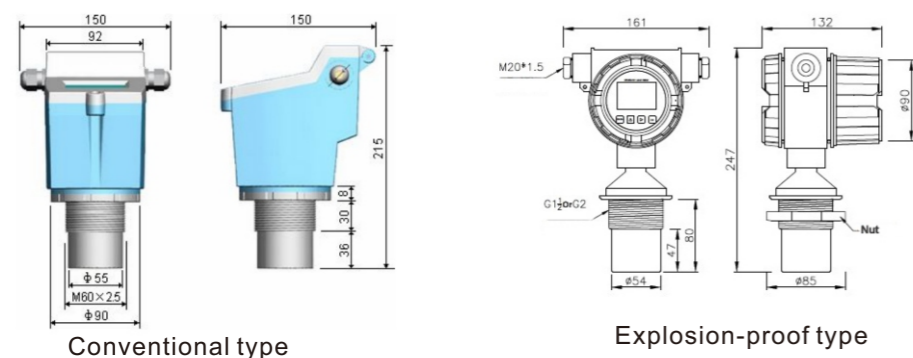
- It is a method of measurement without contact with liquids
- Measuring range 0 to 1m and 0 to 20m.
- On the spot display type and separation type.
- Conventional type ,corrosion resistant and Explosion-proof type.
- Small size, beautiful appearance, high cost performance
- High precision, high stability, high reliability

## Technical details

Measuring medium	liquid,not easy to volatile liquids
Measuring range	0 to 1m and 0 to 20m
Blind area	0.25~0.6m
Output signal	4-20mA ,0-5V,0-10V, 1-5V,etc. (Can be customized)
Digital signal	Rs485 and HART protocol
Accuracy	±0.3%F.S(Standard condition)
Power Supply	24Vdc(Two-wire and four wire ) ,220VAC
Environmental Temp.	-20℃~60℃
Working Temp.	-20℃~90℃
Sensor material	ABS engineering plastics and PTFE
Pressure Connect Port	Flange connection and Threaded connection
Protection grade	IP65 and IP68



## Product Dimension



## Application

- Liquid level measurement and control in industrial field
- Liquid level measurement and water supply system
- Urban water supply and wastewater treatment
- Large dam and water conservancy construction
- Food and beverage equipment
- Chemical and medical equipment

## Model Selection Catalog

JDYC		Ultrasonic level meter (sensor)		
Code	Hydrostatic Type			
A	Conventional type			
F	Corrosion resistant type			
G	Explosion-proof type			
S	Separation type			
Code	Measuring Range			
	measuring range	measuring range	Accuracy	
1	0-1m	5	0-5m	±0.3%
2	0-2m	6	0-10m	±0.3%
3	0-3m	7	0-15m	±0.3%
4	0-4m			±0.3%
Code	Output Singal			
M1	4-20mA DC			
M2	0-5V or 1-5V or 0-10V			
M3	Rs485			
M4	HART protocol			
Code	Process connection			
P1	Flange connection			
P2	Threaded connection			

JDYC G 3 M1 P1