

JDY Pressure Transmitter(sensor)

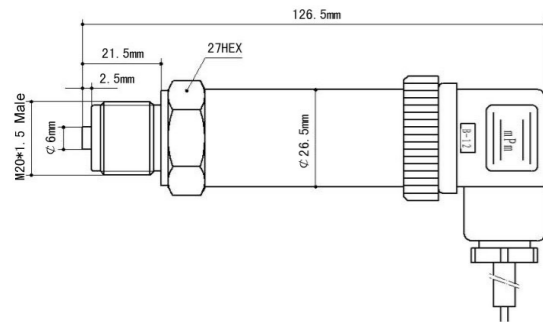
Feature

- Minimum measuring range -1bar.
- Maximum measuring range 0-1000bar.
- Signal output to PLC program
- Lightning protection and protection radio frequency interference
- Intrinsically safe explosion-proof or flameproof
- Small size, beautiful appearance, high cost performance
- High precision, high stability, high reliability
- It has HART protocol optional

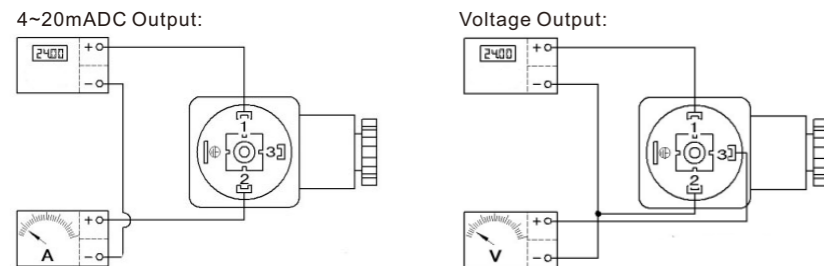
Technical details

Measuring medium	liquid, gas or steam etc.
Measuring range	-1 Bar-1 Bar; 0-0.1Bar.....1000 Bar
Safe Overload	200% F.S.(standard)
Output signal	4-20mA ,0-5V,0-10V, 1-5V,etc. (Can be customized)
Accuracy	±0.5%F.S; ±0.25%F.S
Power Supply	12~36 Vdc 24Vdc
Environmental Temp.	-20℃~80℃
Working Temp.	-20℃~80℃ or 500℃ can be customized
Shell Material	316L or 304 Stainless Steel
Pressure Connect Port	1/2"NPT (by customized)
Protection grade	IP65

Product Dimension



Electric Connection



Application

- Industrial process pressure detection and control
- Laboratory pressure calibration system
- Liquid level measurement and water supply system
- Hydraulic and pneumatic control system
- Navigation and shipbuilding
- Aviation and aircraft manufacturing



Model Selection Catalog

JDY	Pressure Transmitter(sensor)				
	Code	Pressure Type			
	A	Absolute Pressure			
	G	Gauge Pressure			
	S	Sealing Pressure			
	N	Negative Pressure			
	Code	Measuring Range			
		Minimum measuring range	Maximum measuring range	Accuracy	
	1	-1 Bar-1 Bar	0-10bar	±0.5%	
	2	0-10bar	0-16bar	±0.25%	
3	0-16bar	0-30bar	±0.25%		
4	0-30bar	0-50bar	±0.25%		
5	0-50bar	0-100bar	±0.25%		
6	0-100bar	0-200bar	±0.25%		
7	0-200bar	0-500bar	±0.25%		
8	0-500bar	0-600bar	±0.25%		
9	0-700bar	0-800bar	±0.25%		
10	0-800bar	0-1000bar	±0.25%		
Code	Output Singal				
M1	4-20mA DC				
M2	0-5V				
M3	1-5V				
M4	0-10V				
Code	Process connection				
P1	M20*1.5				
P2	1/2NPT				
P3	G1/2				
PX	Custom design				
Code	Additional Function				
M3	LCD display or LED display				
M4	Without display				
d	Ex d IIC T6				
h	High temperature				
c	-20~80 degree Celsius				
4	SUS 304				
L	SUS 316L				
↓	↓	↓	↓	↓	
JDY	G	03	M1	P1	M3 d c 4