

# JDYX Pressure Transmitter(sensor)

## Feature

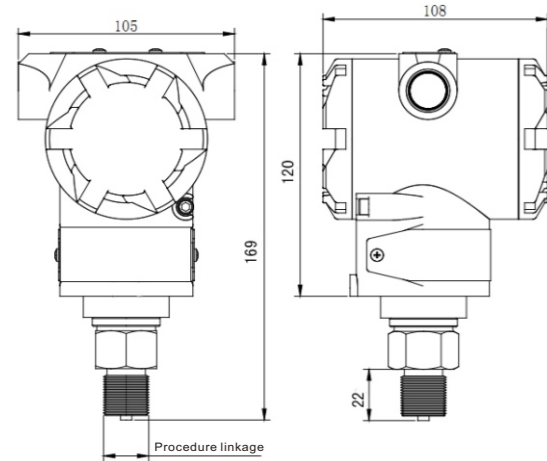
- Minimum measuring range -1bar.
- Maximum measuring range 0-100MPA.
- Adjustable zero
- Lightning protection and protection radio frequency interference
- Intrinsically safe explosion-proof or flameproof
- Small size, beautiful appearance, high cost performance
- High precision, high stability, high reliability
- It has HART protocol optional

## Technical details

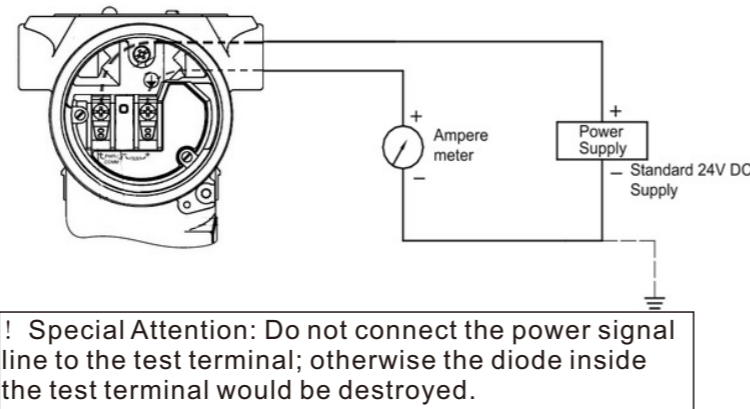
Measuring medium	liquid, gas or steam etc.
Measuring range	-1 Bar-1 Bar; 0-0.1Bar.....1000 Bar
Safe Overload	200% F.S.(standard)
Output signal	4-20mA ,0-5V,0-10V, 1-5V,etc. Hart Protocol (Can be customized)
Accuracy	±0.5%F.S; ±0.25%F.S
Power Supply	12~36 Vdc 24Vdc
Environmental Temp.	-20℃~80℃
Working Temp.	-20℃~80℃ or 500℃ can be customized
Shell Material	316L or 304 Stainless Steel
Pressure Connect Port	1/2"NPT (by customized)
Protection grade	IP65
Unit	Bar, KPA, MPA, mbar, psi, Pa, etc. Optional



## Product Dimension



## Electric Connection



## Application

- Industrial process pressure detection and control
- Laboratory pressure calibration system
- Liquid level measurement and water supply system
- Hydraulic and pneumatic control system
- Navigation and shipbuilding
- Aviation and aircraft manufacturing

## Model Selection Catalog

JDYX		Pressure Transmitter(sensor)		
Code	Pressure Type			
A	Absolute Pressure			
G	Gauge Pressure			
S	Sealing Pressure			
N	Negative Pressure			
Code	Measuring Range			
	Minimum measuring range	Maximum measuring range	Accuracy	
1	-1 Bar-1 Bar	0-10bar	±0.5%	
2	0-10bar	0-16bar	±0.25%	
3	0-16bar	0-30bar	±0.25%	
4	0-30bar	0-50bar	±0.25%	
5	0-50bar	0-100bar	±0.25%	
6	0-100bar	0-200bar	±0.25%	
7	0-200bar	0-500bar	±0.25%	
8	0-500bar	0-600bar	±0.25%	
9	0-700bar	0-800bar	±0.25%	
10	0-800bar	0-1000bar	±0.25%	
Code	Output Singal			
M1	4-20mA DC			
M2	0-5V			
M3	1-5V			
M4	0-10V			
Code	Process connection			
P1	M20*1.5			
P2	1/2NPT			
P3	G1/2			
PX	Custom design			
Code	Additional Function			
M3	LCD display			
M4	Without display			
d	Ex d IIC T6			
P	HART Protocol			
h	High temperature			
c	-20~80 degree Celsius			
4	SUS 304			
L	SUS 316L			

JDYX G 03 M1 P1 M3